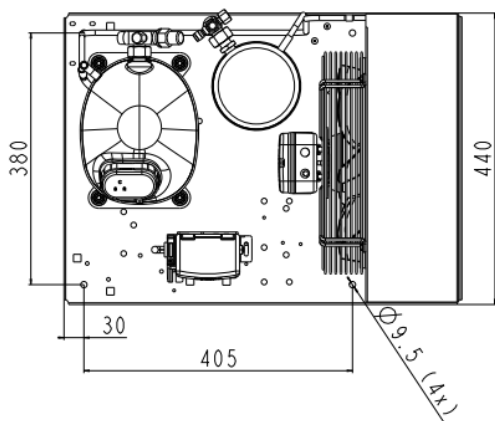
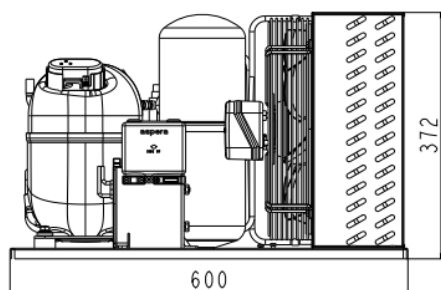


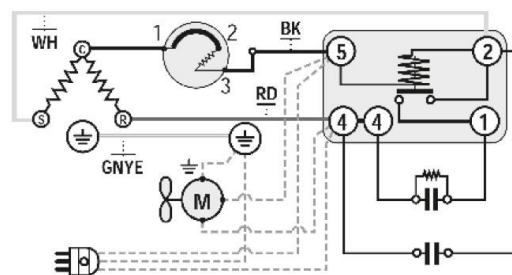
### GENERAL DATA

<b>Application:</b>	M/HBP
<b>Refrigerant:</b>	R404A
<b>Expansion Device:</b>	C-V
<b>Weight:</b>	46 kg
<b>Receiver:</b>	3.9 liter
<b>Voltage/Frequency:</b>	230 V 50 ~
<b>Height:</b>	46 mm
<b>Length:</b>	600 mm
<b>Width:</b>	440 mm
<b>Institute Approvals:</b>	<b>CE</b>

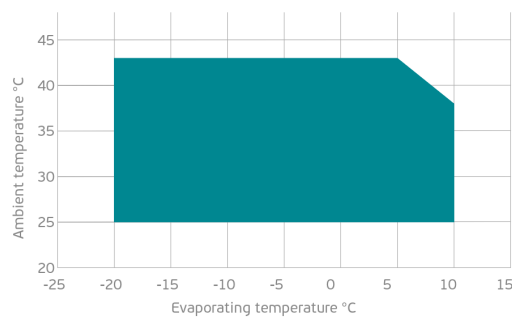
### EXTERNAL DIMENSIONS



### WIRING DIAGRAM



### OPERATING ENVELOPE



### COMPONENTS (SPARE PARTS)

<b>condenser:</b>	4R14T	2451199
<b>fankit:</b>	S4E300-XX	1996589
<b>elkit:</b>	ELKOM NJ9238GK	943RV1904A

<b>valve_suca:</b>	SOLDER 5/8"	2110054
<b>compressor:</b>	NJ9238GK	943RV19..AC
<b>valve_disch:</b>	SOLDER 1/2"	2110050

For additional accessories please contact our technical support

MODEL **UNJ9238GK**

CODE **643RV5610AA**

**embraco** POWER IN. CHANGE ON.

### ELECTRICAL DATA

Motor Type: CSR -  
 Locked Rotor Amperage (RLA): 43 A  
 Max.Current: 10.1 A

At maximum evaporating temperature and maximum ambient temperature.

### FAN MOTOR

Number: 1 -  
 Shaft Power: 95 W  
 Air Flow: 1300 m<sup>3</sup>/hod  
 Blade Diameter: - mm

### PERFORMANCE CURVE DATA

Standard: EN13215-RG20 / return gas 20°C, subcooling 3K

50 Hz

	Evaporating Temperature (°C)	Cooling Capacity (W)	Power Consumption (W)	Current Consumption (A)	Efficiency (W/W)
25°C Ambient Temperature	10°C	4 373	2 405	11.07	1.82
	5°C	3 965	2 178	10.03	1.82
	0°C	3 554	1 966	9.08	1.81
	-5°C	3 143	1 770	8.22	1.78
	Rated point -10°C	2 735	1 589	7.45	1.72
	-15°C	2 330	1 425	6.77	1.64
	-20°C	1 931	1 276	6.18	1.51
32°C Ambient Temperature	10°C	3 989	2 480	11.41	1.61
	5°C	3 601	2 245	10.34	1.60
	0°C	3 217	2 026	9.36	1.59
	-5°C	2 840	1 824	8.48	1.56
	Rated point -10°C	2 472	1 638	7.69	1.51
	-15°C	2 114	1 468	6.98	1.44
	-20°C	1 769	1 316	6.37	1.34
43°C Ambient Temperature	5°C	3 112	2 331	10.74	1.33
	0°C	2 727	2 099	9.70	1.30
	-5°C	2 360	1 885	8.76	1.25
	Rated point -10°C	2 012	1 689	7.91	1.19
	-15°C	1 686	1 511	7.16	1.12
	-20°C	1 383	1 351	6.50	1.02

